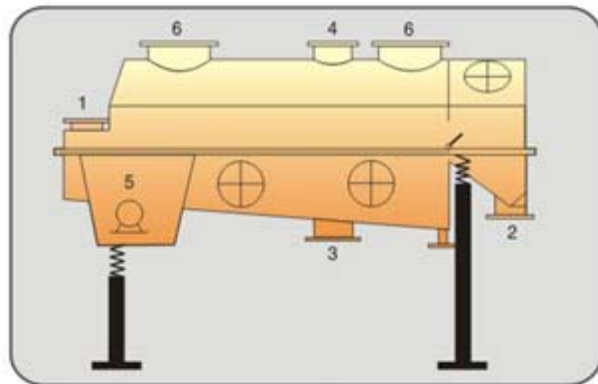


FLUID BED DRYER



BATCH FLUID BED DRYER

Available in 5, 15, 30, 60, 120, 200, 250 kg. capacities in regular and GMP models.



1. Product Inlet 2. Product Outlet 3. Hot Air Inlet 4. Air Outlet
5. Vibratory Motor 6. Man Hole

CONTINUOUS FLUID BED DRYER

These Driers have a bed of solid particles which are fluidized by passing a stream of air or gas upward through a specially designed perforated sheet. The upward velocity of air is so maintained so as to slightly lift the solid particles and set them in motion. This motion can be utilized to bring about mixing as well as forward movement of the solids. The air or the gas is heated and the heat is utilized to dry the solids. Fines get agglomerated to larger granules particles thus providing large size.

A vibratory motor can also be used to provide a mechanical forward motion to the fluidized solid particles.